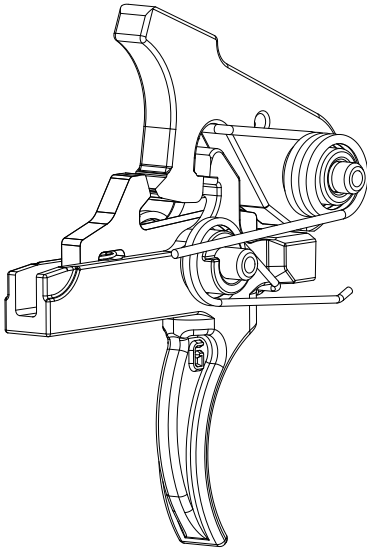


GEISSELE[®]

AUTOMATICS

We Manufacture Confidence[®]



SINGLE-STAGE PRECISION

SSP TRIGGER

Installation Instructions

READ THIS FIRST

Firearm safety is **YOUR** responsibility. You must memorize and put into practice the 4 Rules of Firearm Safety:

1. **ASSUME EVERY WEAPON IS LOADED.**
2. **KEEP YOUR FINGER OFF THE TRIGGER UNTIL YOU ARE READY TO SHOOT.**
3. **DO NOT LET THE MUZZLE POINT AT ANYTHING YOU ARE NOT WILLING TO DESTROY.**
4. **KNOW YOUR TARGET AND WHAT IS BEYOND.**

The Single-Stage Precision (**SSP**) is Geissele Automatics' first true single-stage trigger for the AR Platform. This drop-in trigger has no take up and a super clean break. The reset is short yet still distinct, giving excellent feedback to the shooter during target engagement. Combining these two capabilities provides the shooter with the confidence necessary when precision and accuracy are essential for the task at hand.

Geissele Automatics recommends installation by a certified gunsmith only

INSTALLATION INSTRUCTIONS

1. Unload rifle and make safe.
2. Remove existing trigger and clean receiver. It is not necessary to remove the safety before installing the SSP trigger.
3. Remove the trigger pin from the trigger and replace with the slave pin to hold the disconnecter in place.
4. Install trigger and slave pin into rifle. Align slave pin with receiver pin holes. Insert trigger pin into receiver, through trigger/disconnector, and into receiver on opposite side.
5. Now, reinstall the safety (*before installing the hammer*), and place it in the FIRE position.
6. Remove hammer pin from hammer. Place a drop of lubricant in the bore of the hammer pivot.
7. Install hammer into receiver with hammer spring legs on top of the trigger pin. Insert hammer pin into receiver, through hammer, and into receiver on opposite side.
8. Apply a small amount of lubricant in the following locations as shown on the back side of this page.
 - a. Each side of the disconnecter above the trigger pin;
 - b. Hammer and trigger sears;
 - c. Face of the disconnecter;
 - d. Hammer tail where it contacts the disconnecter;
 - e. Top of each side of the hammer spring where the spring contacts the receiver wall.
9. Check safety operation: With the hammer cocked and the safety selector set to the **SAFE** position, pull the trigger hard. The hammer should not fall.
10. Check trigger reset: Set safety selector to **FIRE**. Dry fire weapon and keep trigger held back. Pull charging handle all the way back and release, letting the bolt carrier snap forward. The hammer should not fall. Release trigger. Hammer should be caught by the trigger.

TRIGGER MAINTENANCE

Maintenance of the Geissele SSP consists of occasionally placing a drop of lubricant on the locations shown in **step 8**. Recommended lubricant is ALG Go Juice or equivalent; alternatively a high quality grease may be used on the trigger/hammer sears and disconnecter contact surfaces.

When the trigger and lower receiver well become very dirty (such as when firing with a suppressor), it is not always necessary to remove the trigger group for cleaning. Spray down the trigger group with electrical contact cleaner to remove residual oil and dirt. Next, use compressed air to blow off the trigger group and then flush liberally with a light lubricant as CLP or equivalent. Blow off excess lubricant with compressed air and lubricate as noted above.

Thank You For Your Purchase.
Contact Geissele Automatics with any questions.

GEISSELE AUTOMATICS • 800 NORTH WALES RD • NORTH WALES, PA 19454
TEL: 610-272-2060 | FAX: 610-272-2069

E-MAIL: INFO@GEISSELE.COM | WEB: WWW.GEISSELE.COM
PATENTS: WWW.GEISSELE.COM/PATENTS

GEISSELE AUTOMATICS SSP TRIGGER INSTRUCTIONS VERSION 2 - 03/06/18

GEISSELE[®]

AUTOMATICS

SINGLE-STAGE PRECISION (SSP)

